



## Freedom Accessible Double Entry Shower Pan 61" x 61"

Model APF6060BFPANDE

61" x 61" x 4 1/2"

One Piece Double Entry  
Shower Pan

1 1/4" barrier free threshold  
with pre-leveled and  
reinforced shower base  
for easy installation

Textured Floor

Durable, luxurious and  
easy to clean gelcoat

Accessories available:  
Grab bars, padded folding  
shower seat, collapsible  
water retainer, weighted  
shower curtain and rod,  
slide bar with handheld  
shower, pressure balance  
valve, caulkless drain



**30 Year Manufacturer's Limited Warranty**

# FREE OM SHOWERS

## MODEL: APF6060BFPANDE

### Freedom Accessible Double Entry Shower Pan

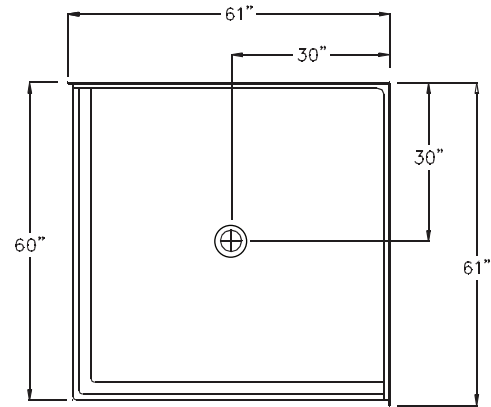
#### Submittal Data

##### Product Features

- 61" x 61" x 4 1/2"
- One piece Double Entry Shower Pan
- 1 1/4" barrier free threshold
- Self-supporting and pre-leveled shower base eliminates mud setting
- Easy to clean gelcoat finish
- Textured slip-resistant floor
- Center drain location

##### Code Compliance

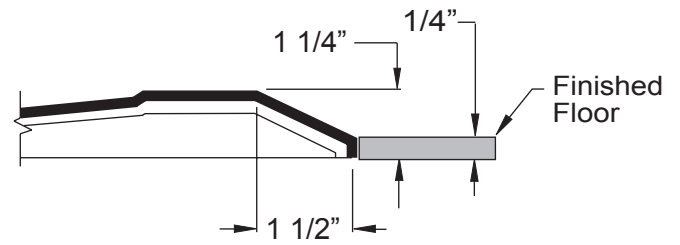
- IPC International Plumbing Code
- UPC Uniform Plumbing Code
- ANSI Z124.2 Standards for Plastic Showers



TOP VIEW



FRONT ELEVATION



THRESHOLD VIEW

