



Freedom ADA Roll-in Shower Pan 62" x 38"



Model APF6238BFPANC

62 7/16" x 38 1/4" x 4 1/2"

One Piece Shower Pan

3/4" barrier free threshold
with pre-leveled and
reinforced shower base
for easy installation

Textured Floor

Durable, luxurious and
easy to clean gelcoat

Accessories available:
Grab bars, padded folding
shower seat, collapsible
water retainer, weighted
shower curtain and rod,
slide bar with handheld
shower, pressure balance
valve, caulkless drain

30 Year Manufacturer's Limited Warranty

FREE OM SHOWERS

MODEL: APF6238BFPANC Freedom ADA Roll-in Shower Pan

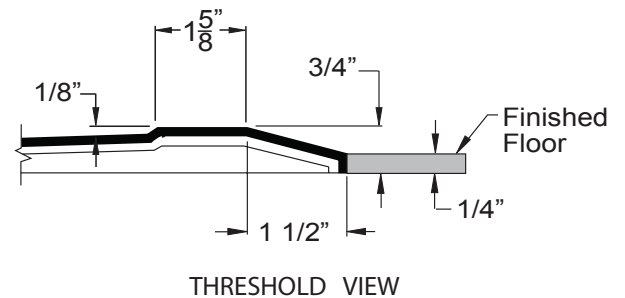
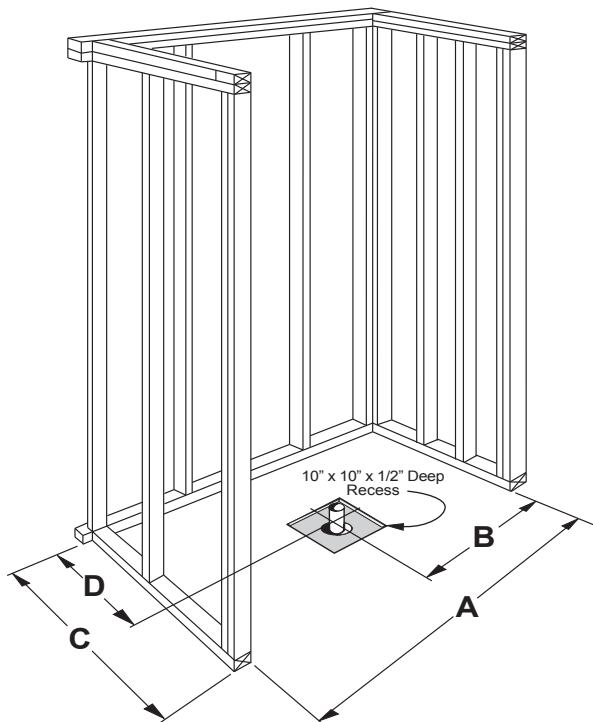
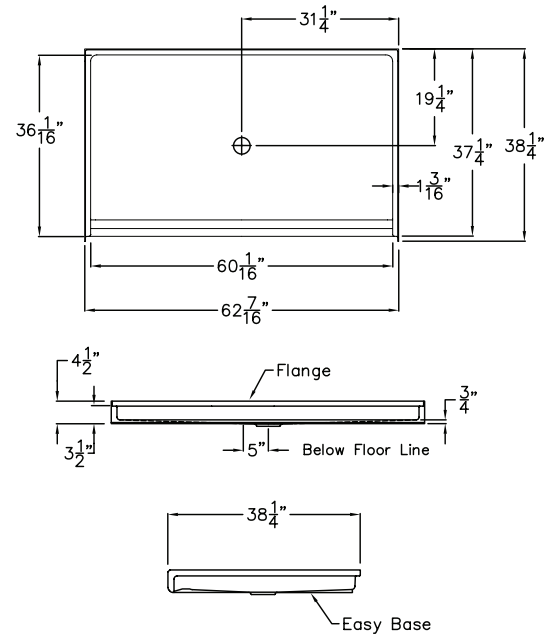
Submittal Data

Product Features

- 62 7/16" x 38 1/4" x 4 1/2"
- 3/4" barrier free threshold.
- Self-supporting and pre-leveled shower base eliminates mud setting.
- Easy to clean gelcoat finish
- Textured slip-resistant floor
- Center drain location

Code Compliance

- IPC International Plumbing Code
- UPC Uniform Plumbing Code
- ANSI Z124.2 Standards for Plastic Showers
- CSA Canadian Standards Association



	A	B	C	D
6238 PAN	62 3/4"	31 3/8"	38 1/4"	18 1/4"