

Freedom ADA Code Compliant Shower Pan 62" x 32"



Lifetime Limited Warranty

Model
APF6232BFPANC

62.4375" x 32.25" x 4.5"

Inside Dimensions: 60" x 30"

One Piece Shower Pan

3/4" barrier free, change of level threshold with pre-leveled and reinforced shower base for easy installation

Textured Floor

Durable, luxurious and easy to clean applied acrylic

Accessories available:
Grab bars, folding shower seat, collapsible water retainer, weighted shower curtain and rod, slide bar with handheld shower, pressure balance valve, caulkless drain

FREEDOM SHOWERS

MODEL: APF6232BFPANC Freedom Code Compliant Shower Pan

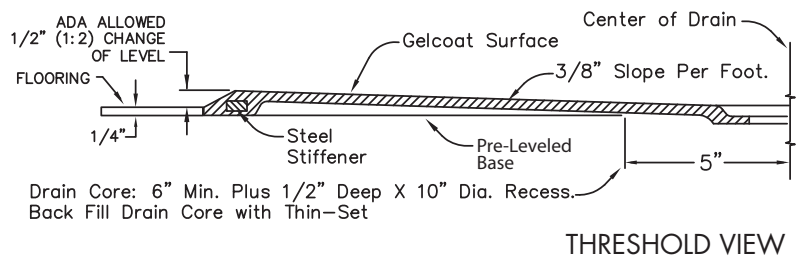
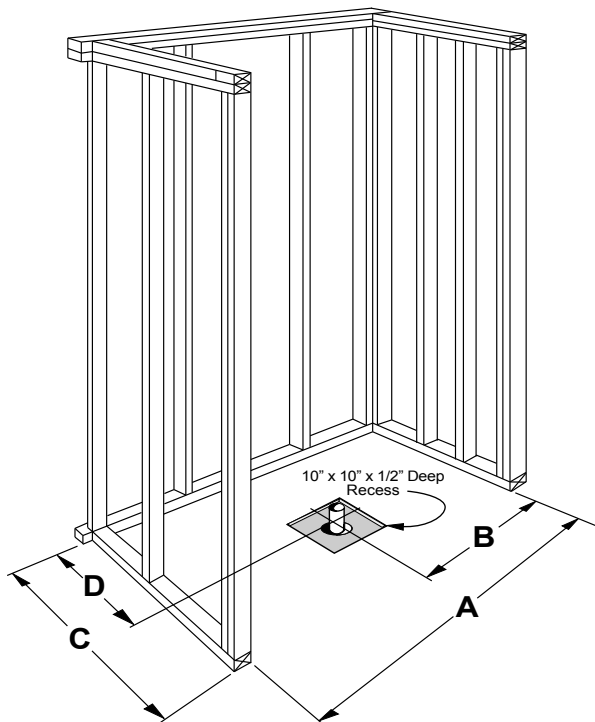
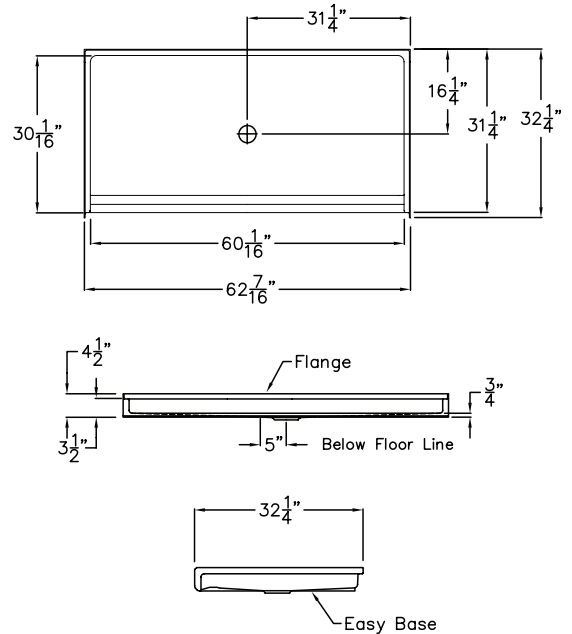
Submittal Data

Product Features

- 62.4375" x 32.25" x 4.5"
- Inside Dimensions: 60" x 30"
- 0.75" barrier free, change of level threshold
- Self-supporting and pre-leveled shower base eliminates mud setting (500 lb capacity)
- Easy to clean applied acrylic
- Textured slip-resistant floor
- Center drain location

Code Compliance

IPC International Plumbing Code, UPC Uniform Plumbing Code, ADA, ANSI, MAS, TAS, CSA



	A	B	C	D
6232 PAN	62 3/4"	31 3/8"	32 1/4"	16 1/4"